

BDT Blu-ray Disc Tester

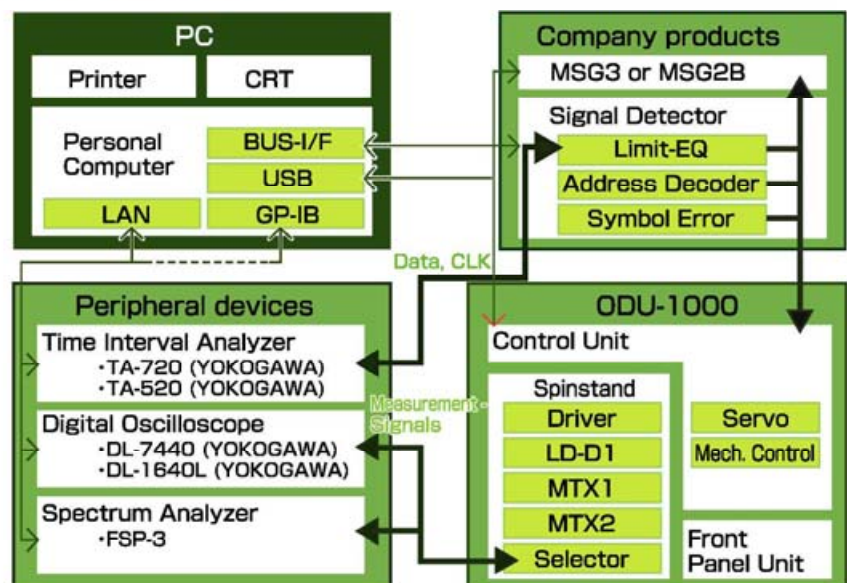
*BD-R / RE evaluation equipment based on ODU-1000.
Capable of testing the electrical characteristics of BD format discs.
The measurement result can be confirmed on the data list & graph display and be out to printer and file.*



FEATURE

- **Conforming to BD-R/RW/ROM book specs**
Possible to evaluate all the BD electric signal items automatically(RF&Servo signal waveform) including BCA area.
- **Consecutive Testing Availability including Write Strategy&Write Margin Test**
Possible to execute Recording Parameter Adjustment-Recording Evaluation-Playback Evaluation.
- **Dual layer disc is supported**
Possible to measure both layers(layer0 to layer1) continuously.
- **Display of Signal Waveform**
Possible to reproduce the signal waveform used for signal characteristic analysis. With this feature, the problem analysis is easier when any defects are found on the media.
- **Data Storage&Printout**
All measurement data list can be saved into CSV file and printed at once.

SYSTEM STRUCTURE

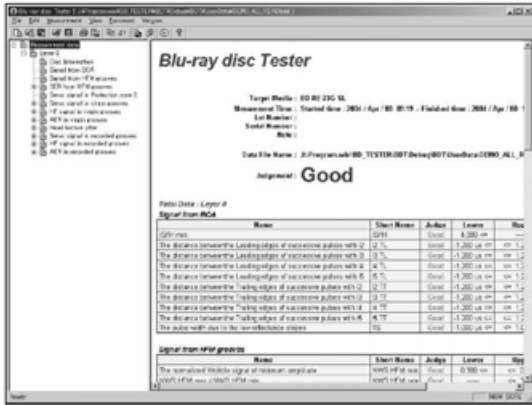


Blu-Ray Disc Tester BDT for -R/-RE

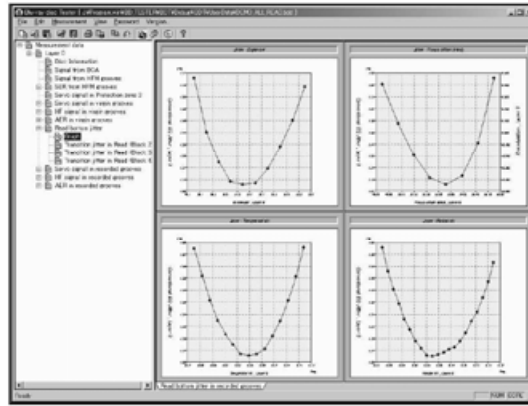
Format

Media	Capacity	layer
BD -R/-RE	23GB	Single
	25GB	Single
BD ROM/RE	46GB	Dual
	50GB	Dual

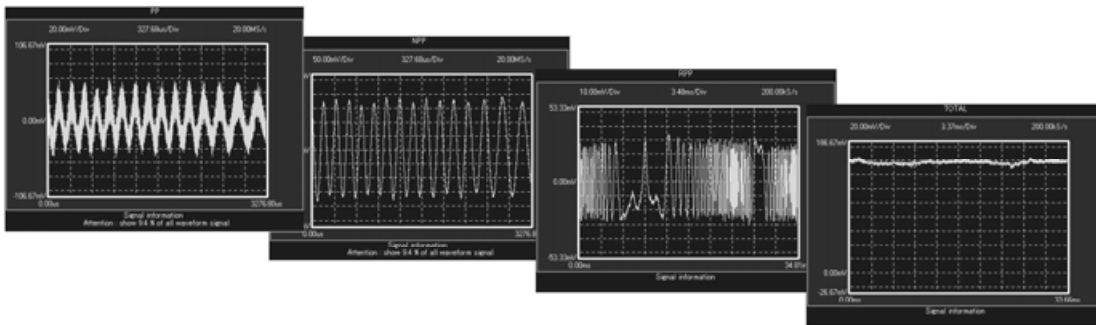
Display



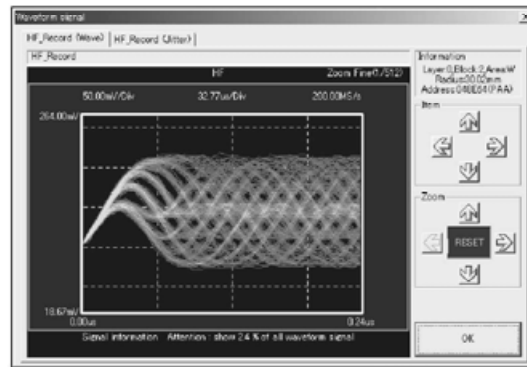
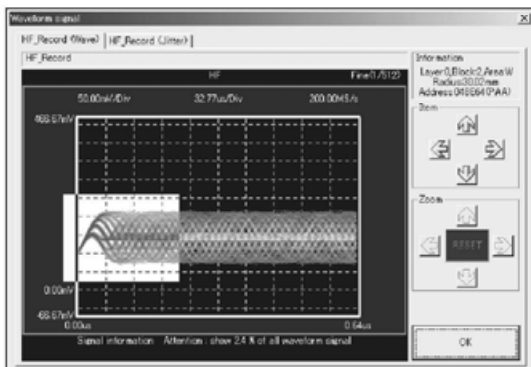
Graph



Display of Measurement Signal Waveform



Waveform Analysis (Extended Display)



※Please be noted that the specs may change without further notice. Please refer to the product specs for more details.

PULSTEC
Pulstec Industrial Co., Ltd

■ Head Office
7000-35, Nakagawa, Hosoe-cho,
Kita-ku, Hamamatsu, Shizuoka Pref.,
431-1304 Japan
TEL +81-53-522-3611
FAX +81-53-522-3666

■ Europe Office
Office 18, 12 Devon Place, Newport,
South Wales, NP120 4NN, UK
TEL +44-7867-972860

■ Pulstec USA, Inc.
21535 Hawthorne Blvd., Suite 375,
Torrance, CA 90503 USA
TEL +1-310-316-8185
FAX +1-310-316-9055