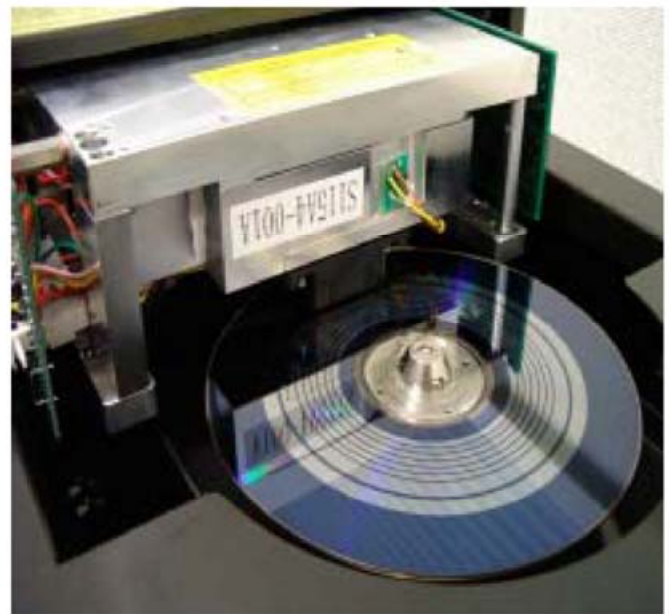


# ODI-1000

## INITIALIZER FOR PHASE CHANGE OPTICAL DISCS



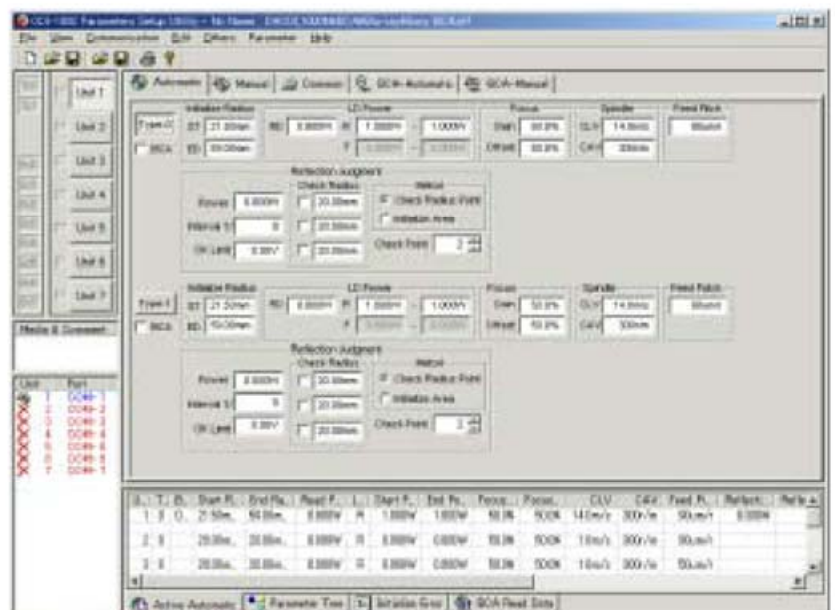
ODI-1000 is the unit to initialize phase change disc (12cm) at high speed.



### Feature

- CLV and CAV are supported.
- In-line implementation is possible with the availability of standard interface.
- Easy maintenance including simple exchange of optical pick-up head.
- BCA code can be recorded on phase change discs.
- CD, DVD and BD single layer discs are supported by exchanging optical pick-up head.
- Possible to initialize DVD dual layer discs by modification.

### Control Screen



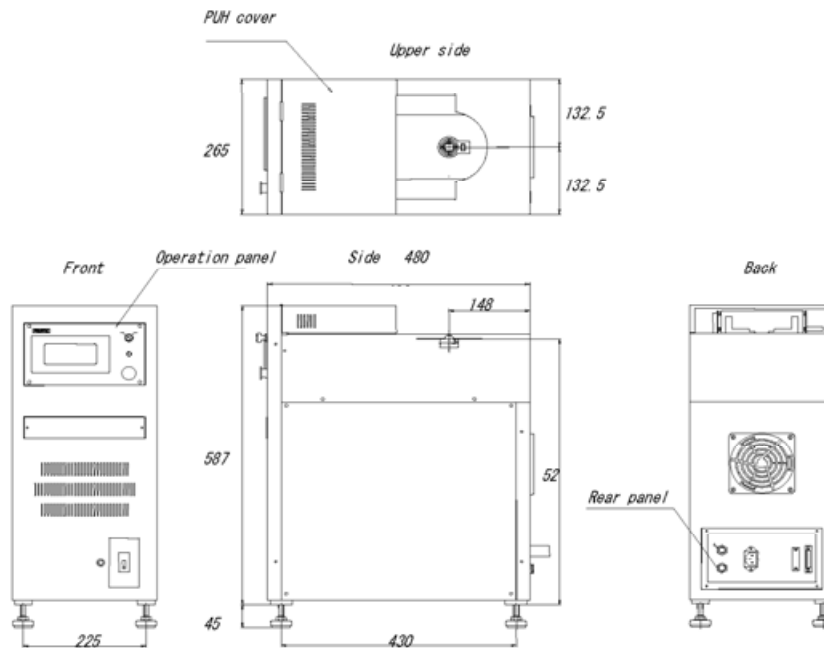
# ODI-1000 Initializer for Phase Change Optical Discs

## ■ MAIN SPECIFICATION <MODEL NO. 27030B>

Item	Standard Specification
Target Disc	Size : 120mmφ Thickness : 0.6t/1.2t Disc Clamping : Vacuum Chuck (Air pressure 0.5±0.05Mpa)
Initialization Range (mm)	21.0mm~65.0mm
Optical Pick-up Head/ Laser Diode	Wavelength : 808nm(±10nm) Power (Disc Surface) : 2.8W Max(Depends on Beam Size) Spot Size : About 70 or 100um × 1um PUH Lifetime : 3500hrs Laser Class : Class 4
Linear Velocity Range-CAV (rpm)	300~13000rpm
Rotational Speed Range-CLV (m/s)	1.8~28.0m/s(0.1/s step) ※
Feed Pitch	2~150μm/rev
Interface	Initialize Condition Setting : RS232C Equipment Control : Insulated Interface
Input Voltage	AC100~240V±10%
Weight	About 35kg

\*) Maximum rotational speed (CLV setting) differs depending on the feed pitch.  
28.0m/s is only available if the feed pitch is below 50um/rev.

## ■ DIMENSION



# PULSTEC

### ■ Head Office

7000-35, Nakagawa, Hosoe-cho, Kita-ku, Hamamatsu, Shizuoka Pref., 431-1304 Japan  
TEL +81-53-522-3611 FAX +81-53-522-3666

### ■ Europe Office

Office 18, 12 Devon Place, Newport, South Wales, NP120 4NN, UK  
TEL +44-7867-972860

### ■ Pulstec USA, Inc.

21535 Hawthorne Blvd., Suite 375, Torrance CA 90503 USA  
TEL +1-310-316-8185 FAX +1-310-316-9055